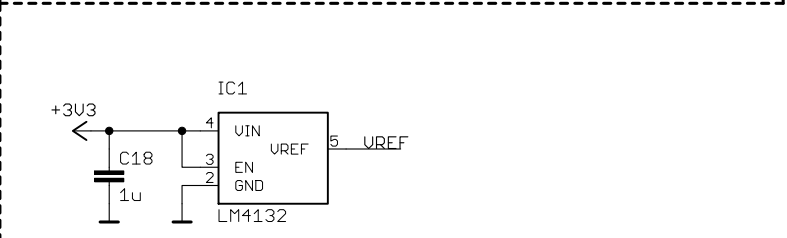
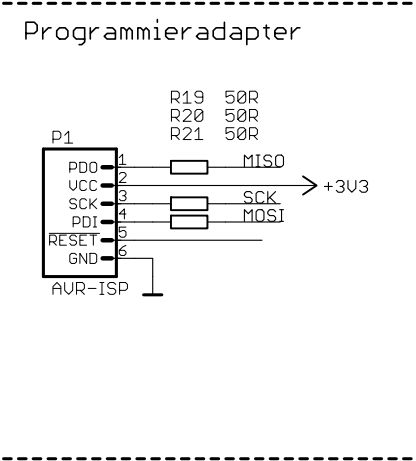
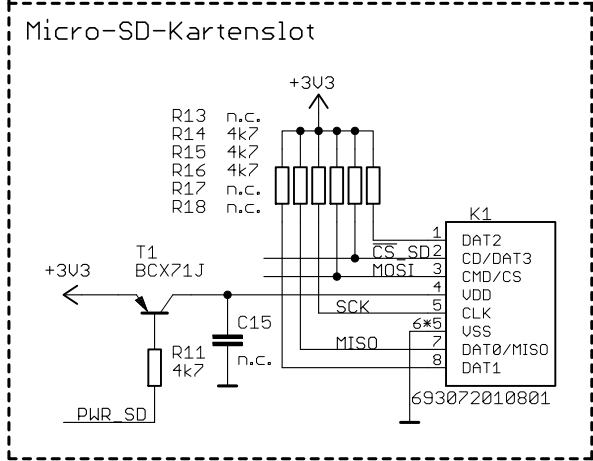
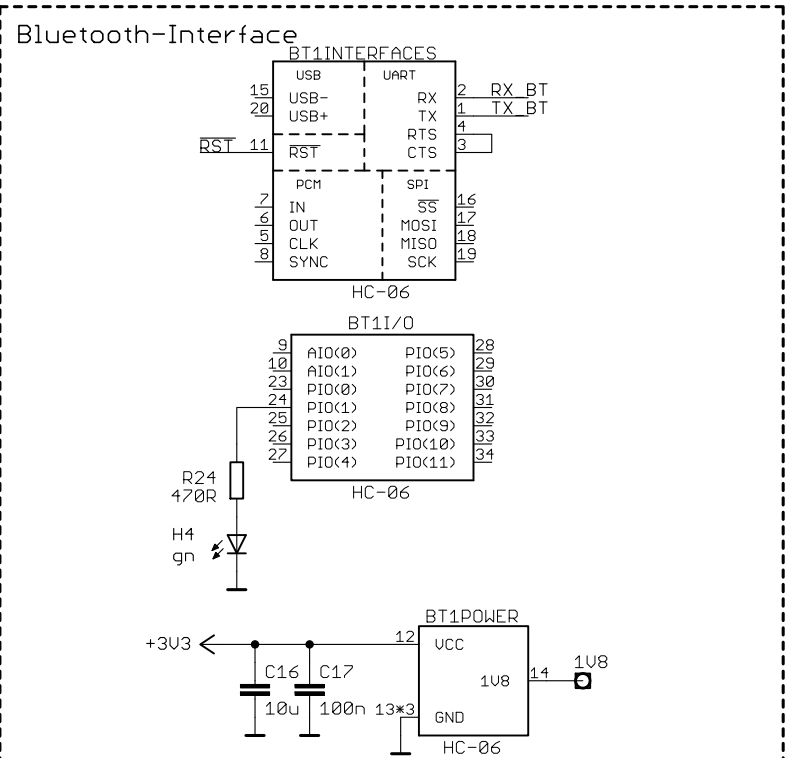
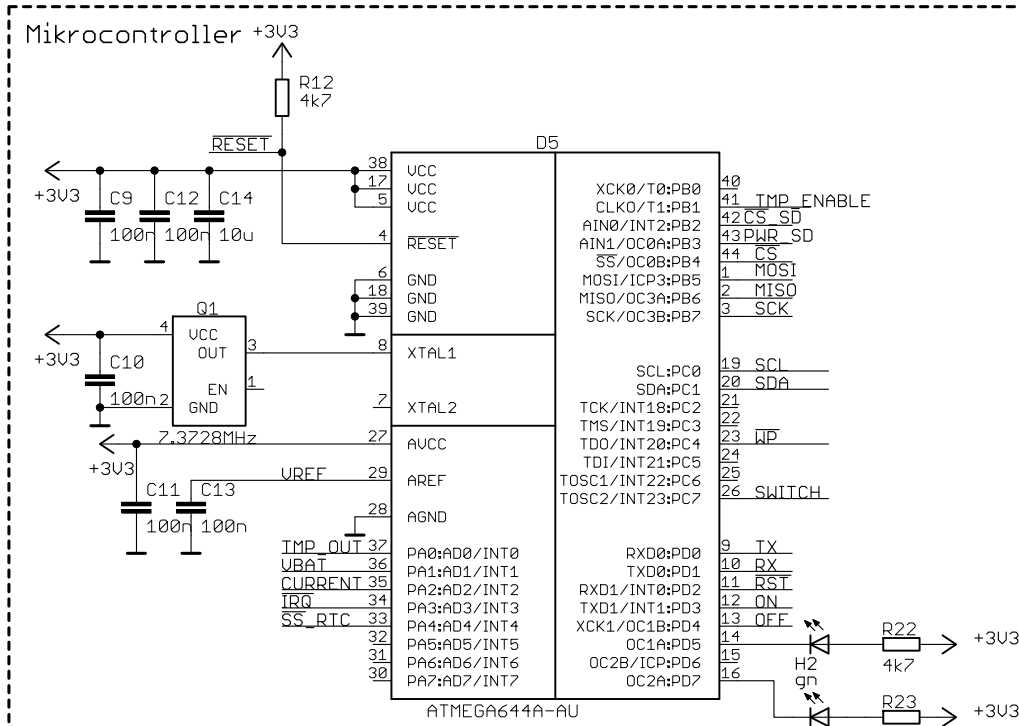


4-Layer-PCB

Author: M.Grünke	
TITLE: ADB-1a	
Document Number: 1.0	REV: v1.0
Date: 14.09.2016 08:04:50	Sheet: 1/2



Author: M.Grünke	
TITLE: ADB-1a	
Document Number: 1.0	REV: v1.0
Date: 14.09.2016 08:04:50	Sheet: 2/2