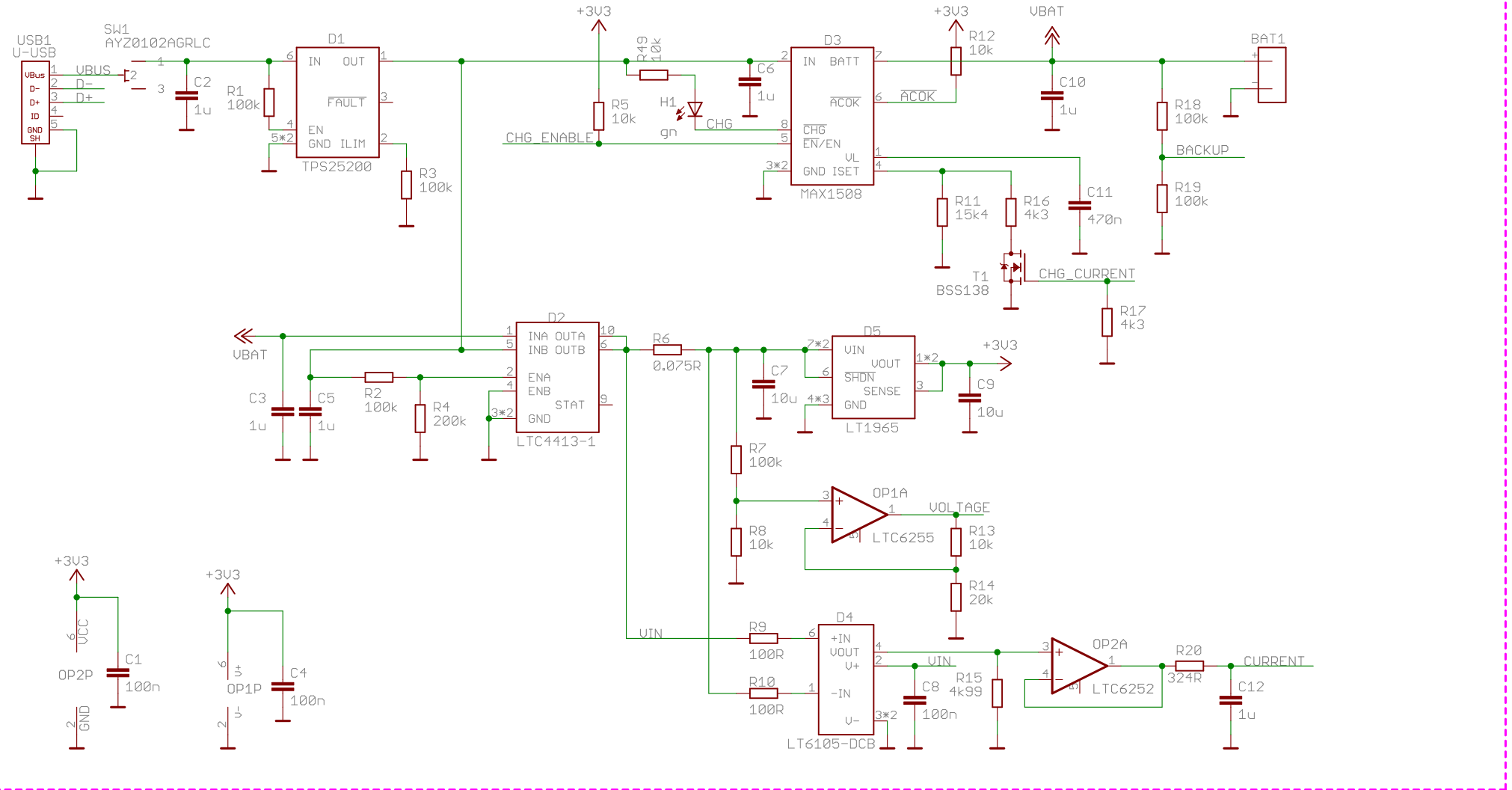


Spannungsversorgung

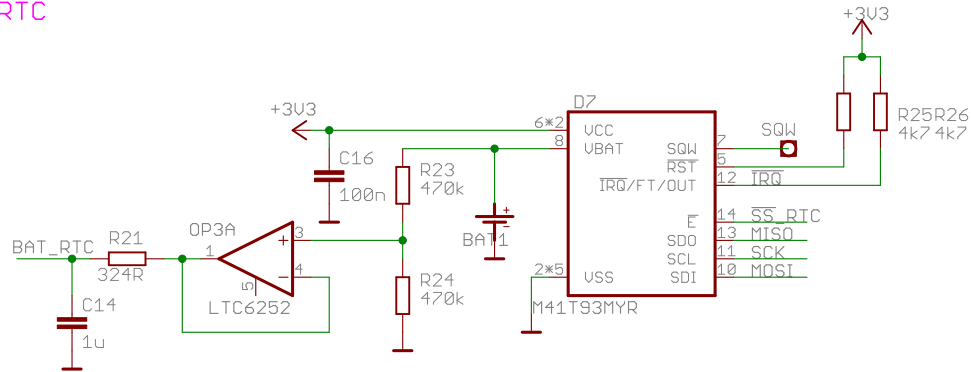
$I_{lim} = 980mA$

$I_{Charge} = 435mA(high) / 95mA(low)$

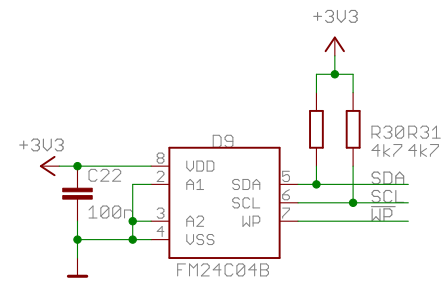


| | |
|---------------------------|------------|
| Author: M.Grünke | |
| TITLE: ADB-2b | |
| Document Number: 1.0 | REV: v1.1 |
| Date: 11.12.2016 17:21:23 | Sheet: 1/3 |

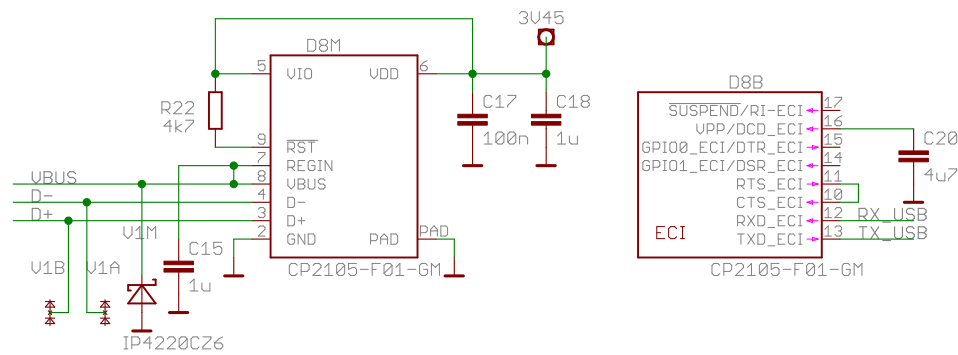
RTC



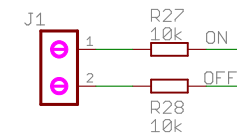
FRAM



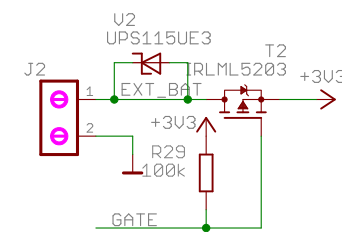
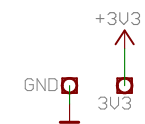
USB



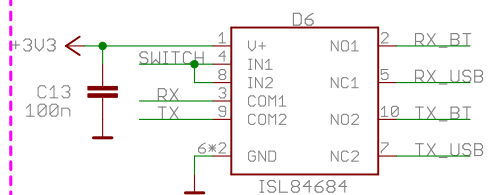
Outputs



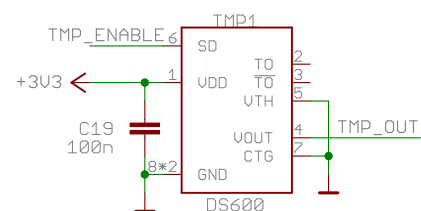
Testpunkte



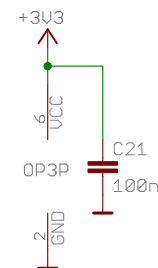
Multiplexer



Temperatursensor



Versorgung



Author: M.Grünke

TITLE: ADB-2b

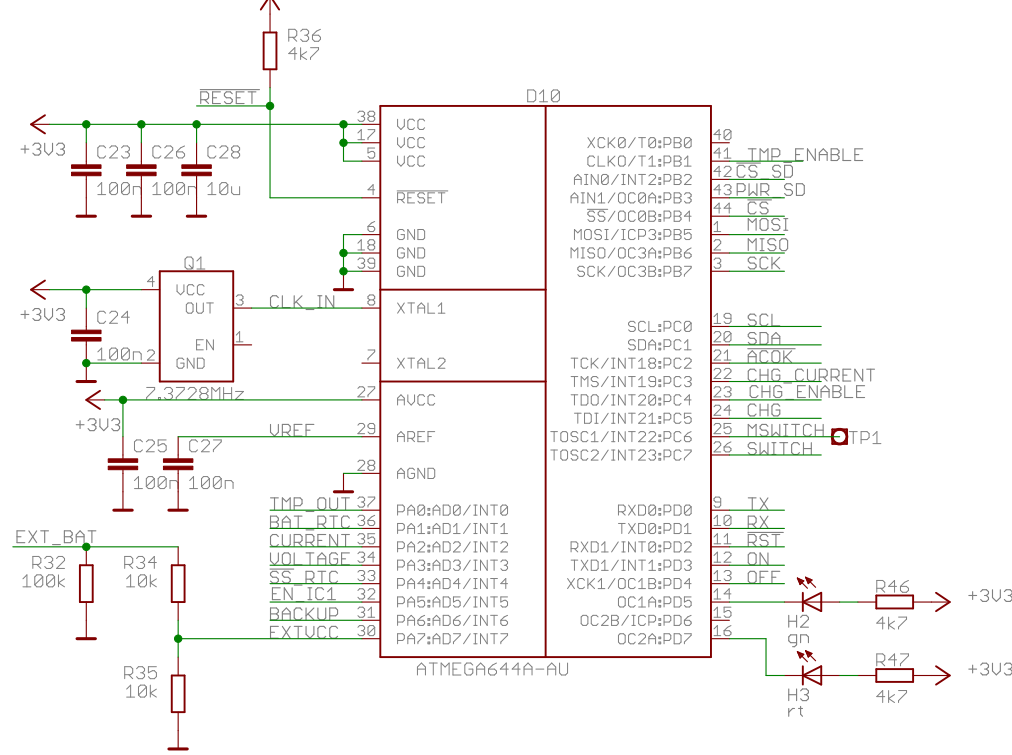
Document Number: 1.0

REV: v1.1

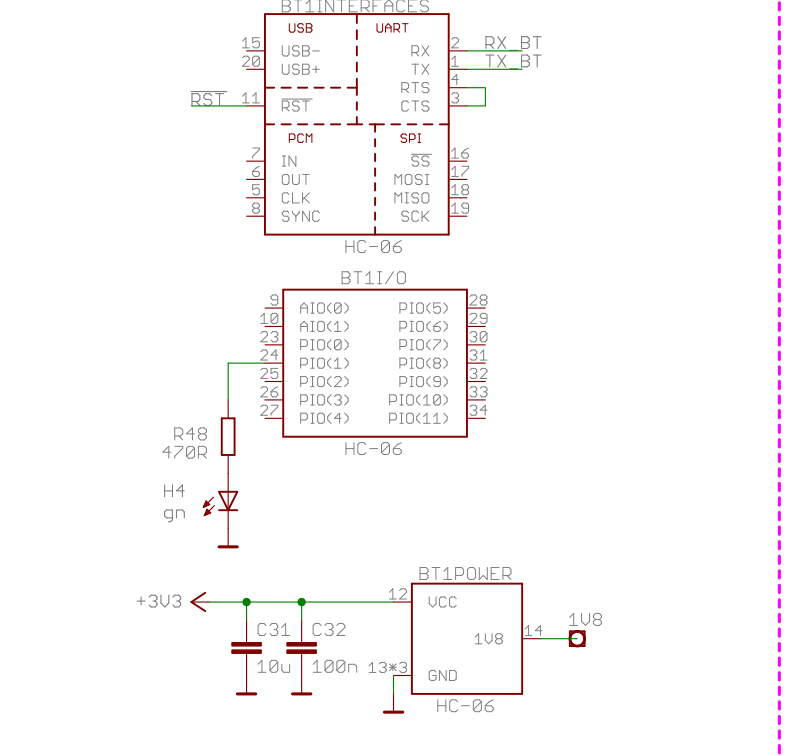
Date: 11.12.2016 17:21:23

Sheet: 2/3

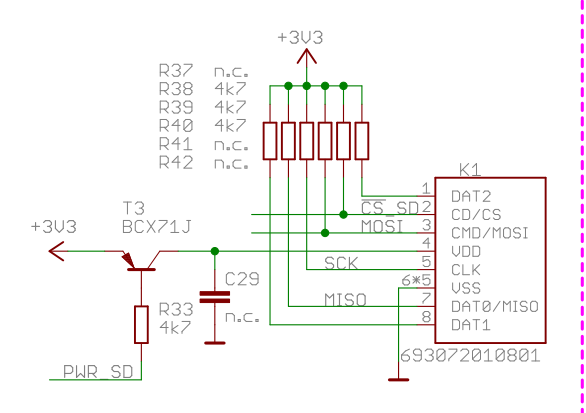
Mikrocontroller



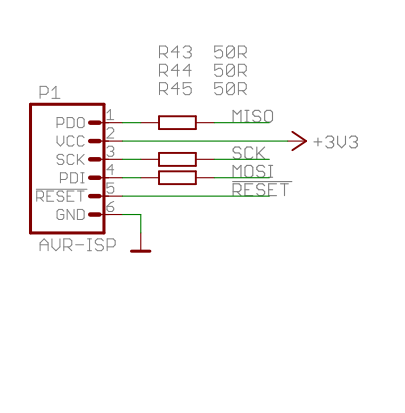
Bluetooth-Interface



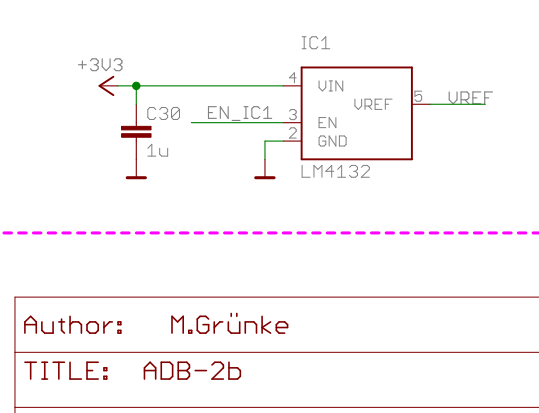
Micro-SD-Kartenslot



Programmieradapter



Spannungsreferenz



| | |
|---------------------------|------------|
| Author: M.Grünke | |
| TITLE: ADB-2b | |
| Document Number: 1.0 | REV: v1.1 |
| Date: 11.12.2016 17:21:23 | Sheet: 3/3 |