

Power supply

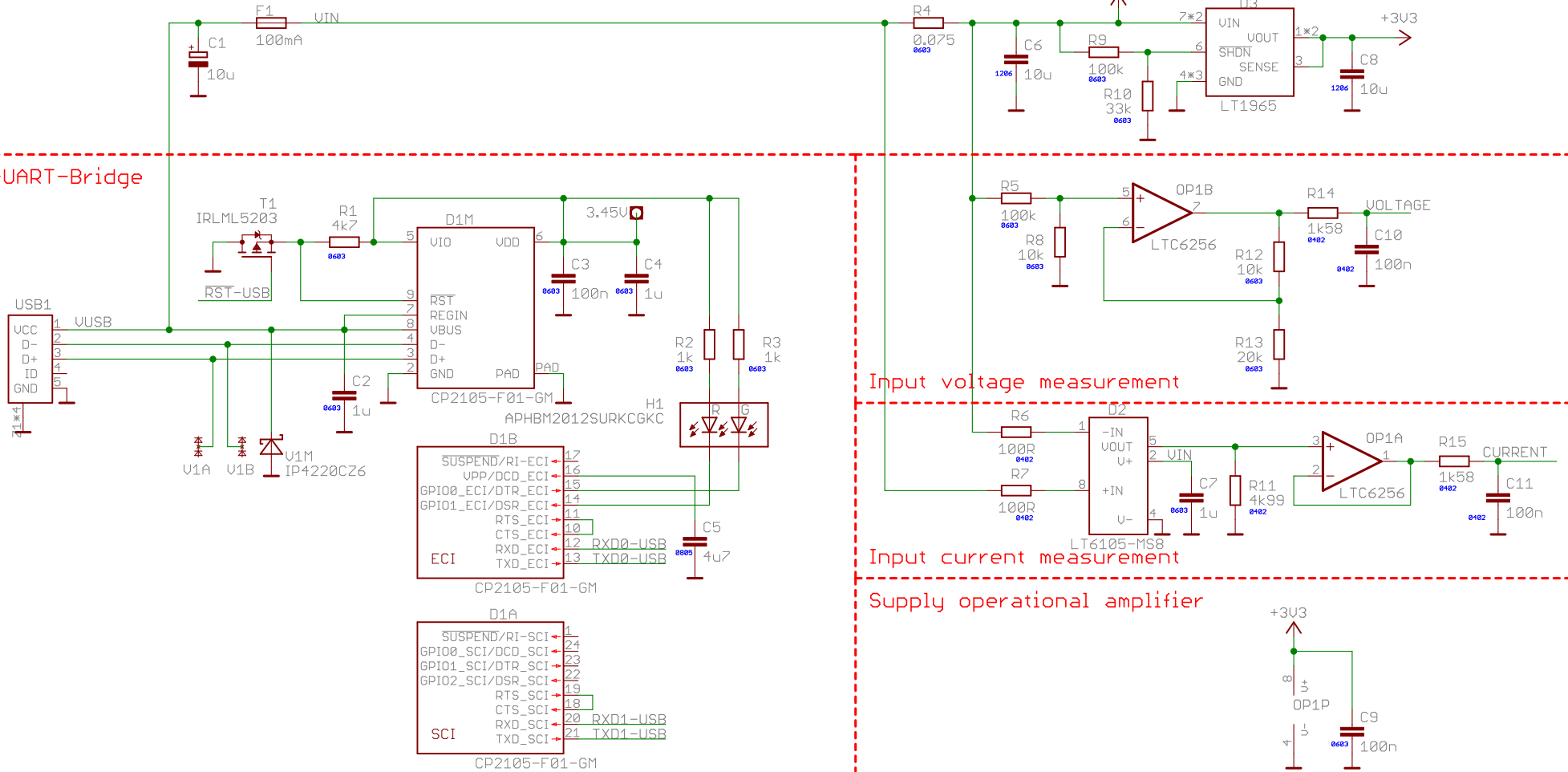
Generating 3.3V

USB-UART-Bridge

Input voltage measurement

Input current measurement

Supply operational amplifier



Author: M. Grünke

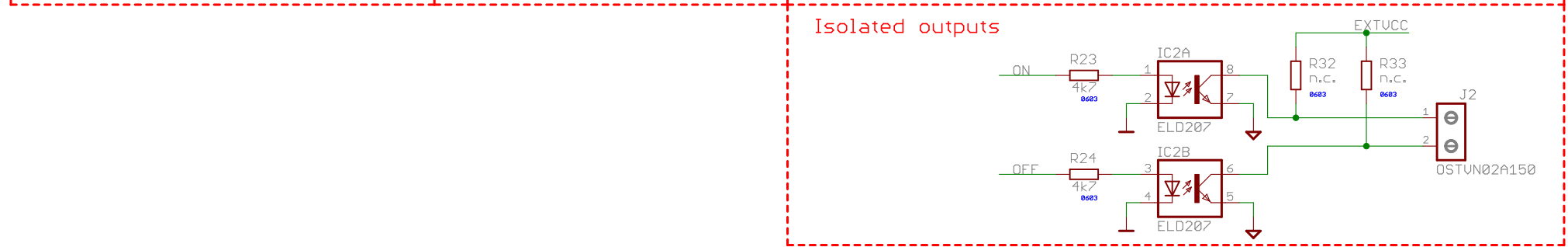
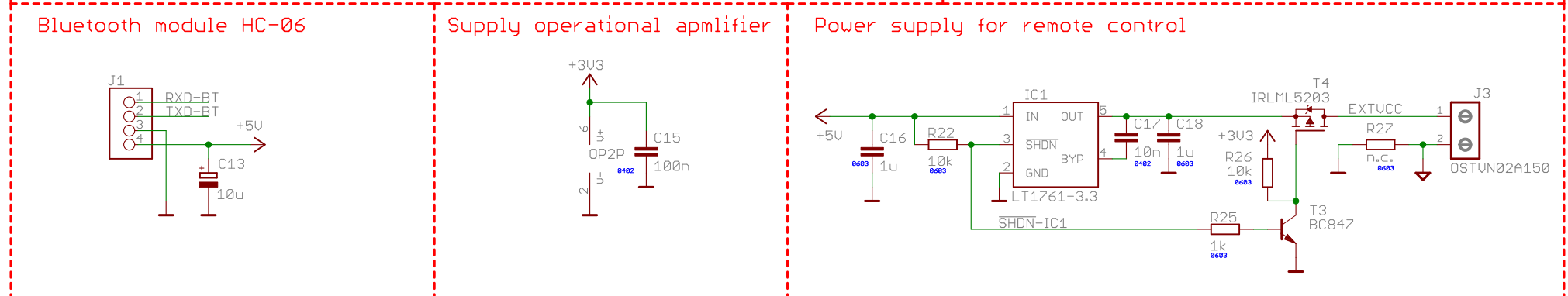
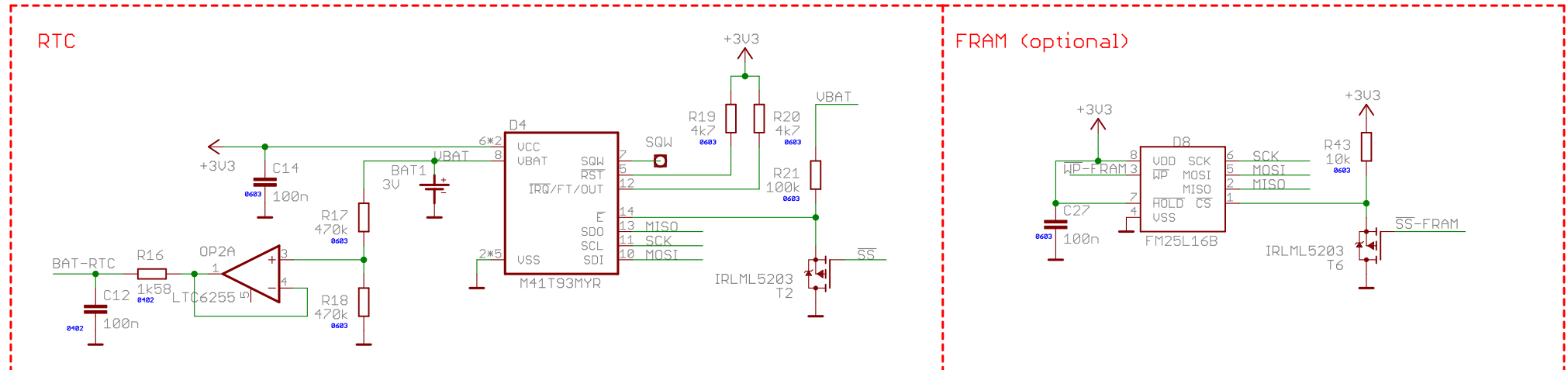
TITLE: ADB-3a

Document Number: 1.0

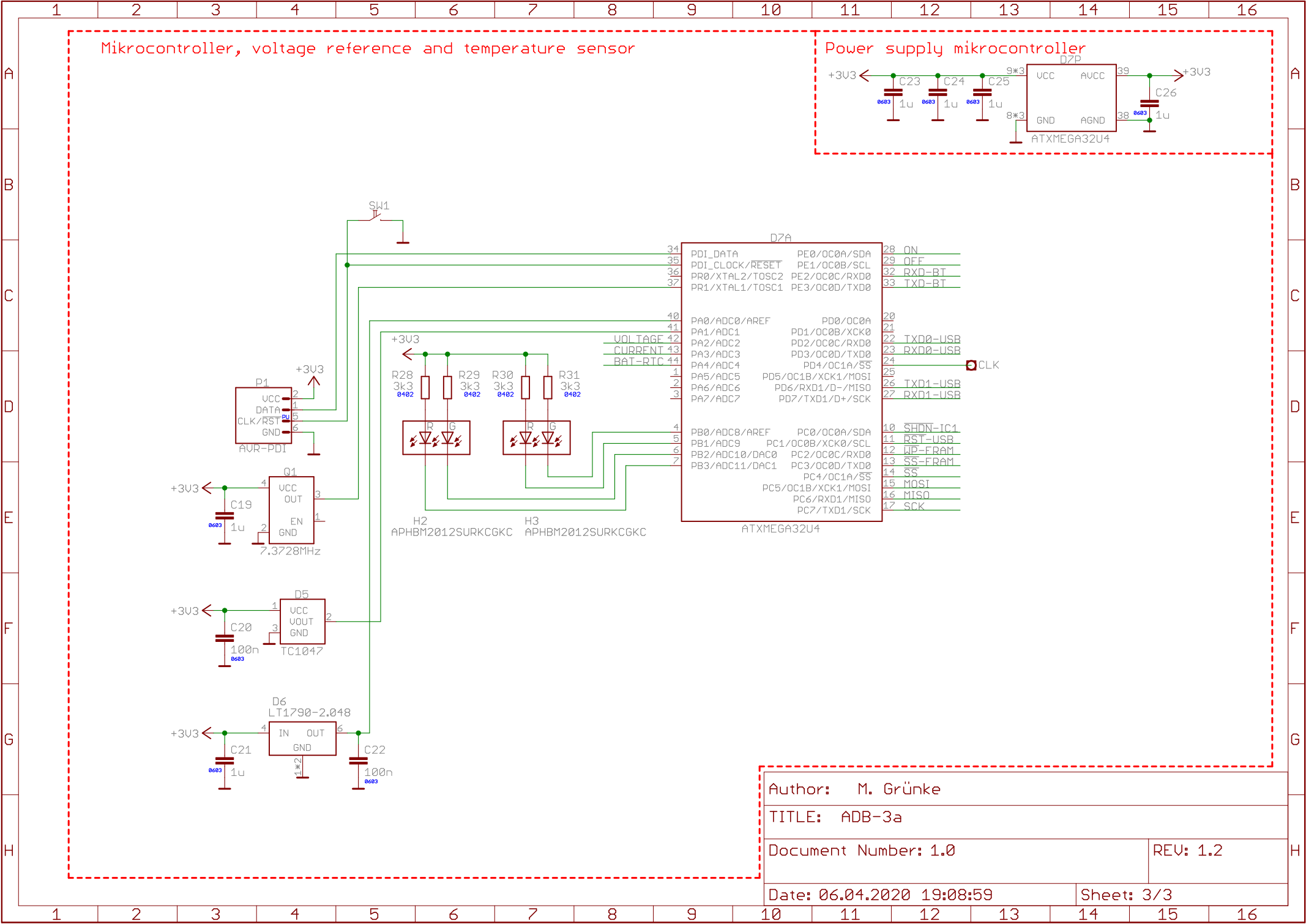
REV: 1.2

Date: 06.04.2020 19:08:59

Sheet: 1/3



Author: M. Grünke	
TITLE: ADB-3a	
Document Number: 1.0	REV: 1.2
Date: 06.04.2020 19:08:59	Sheet: 2/3



Author: M. Grünke

TITLE: ADB-3a

Document Number: 1.0

REV: 1.2

Date: 06.04.2020 19:08:59

Sheet: 3/3