

Power supply

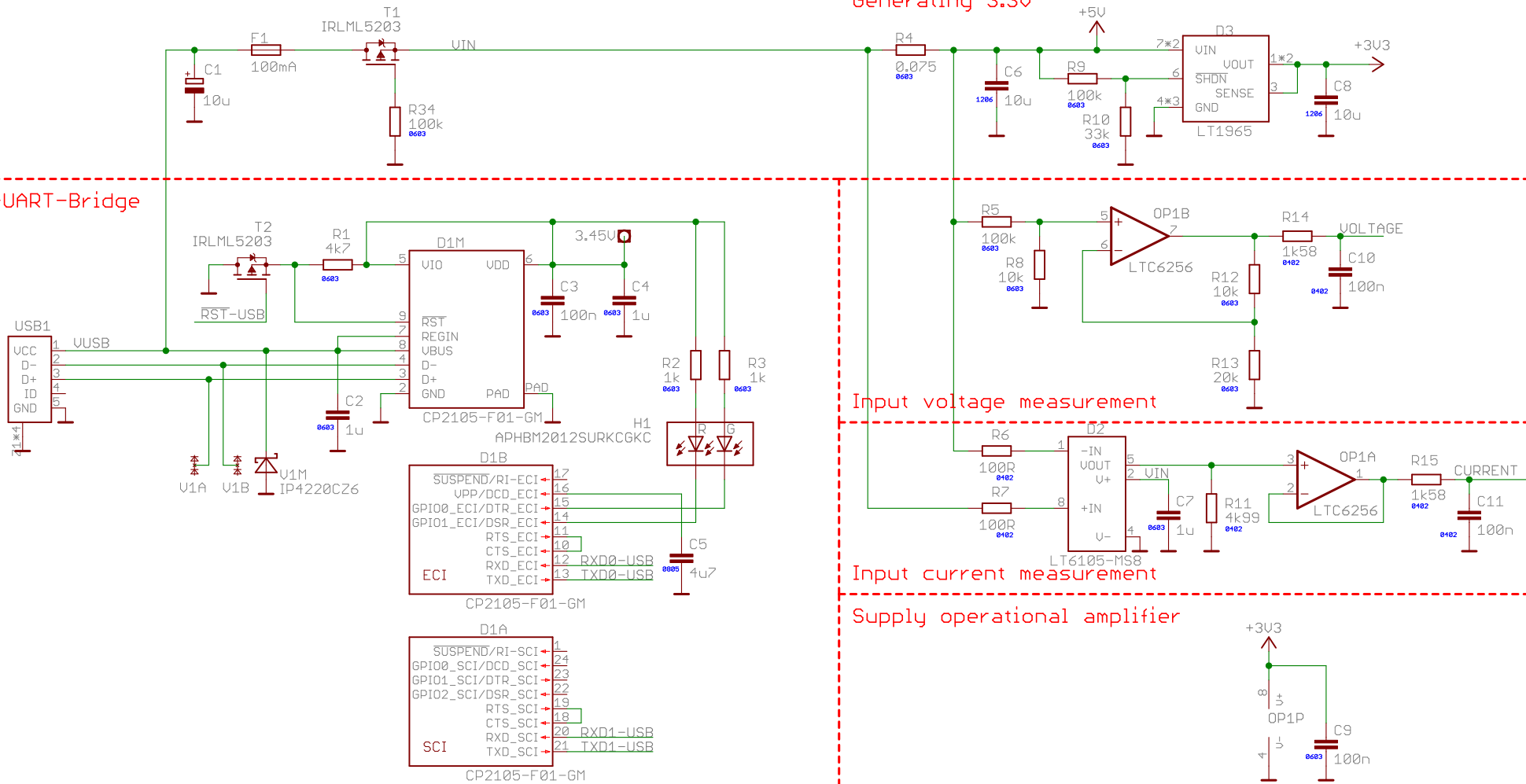
Generating 3.3V

USB-UART-Bridge

Input voltage measurement

Input current measurement

Supply operational amplifier



Author: M. Grünke

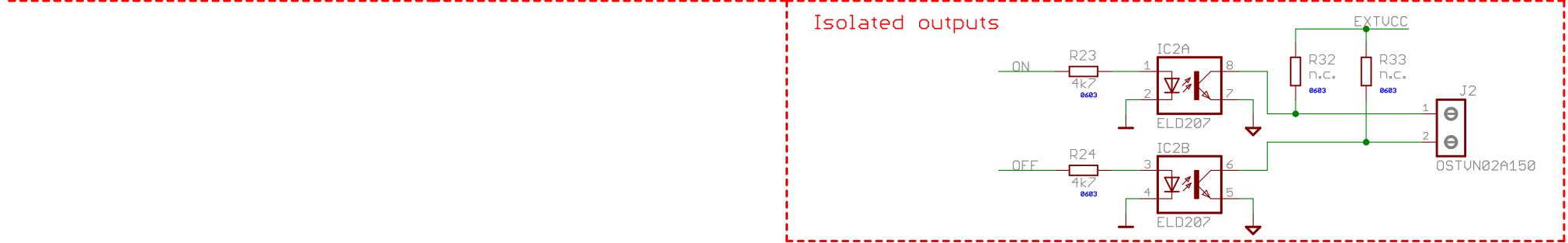
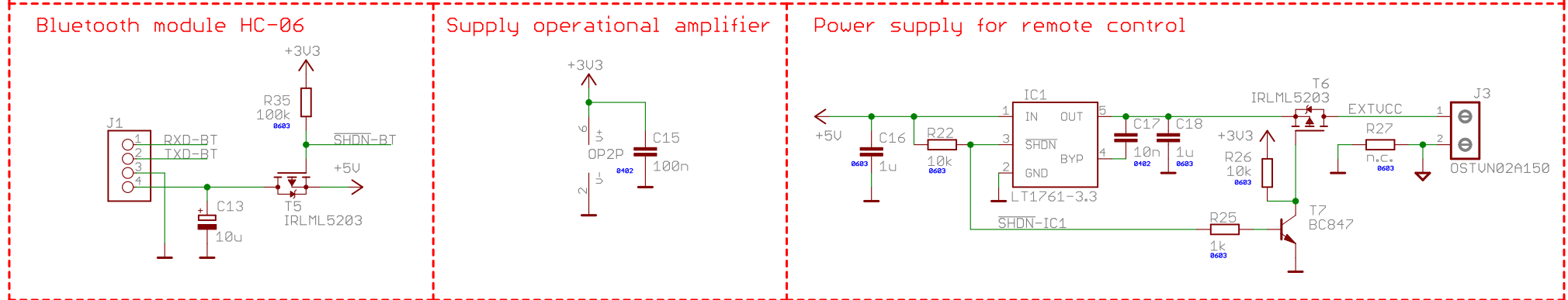
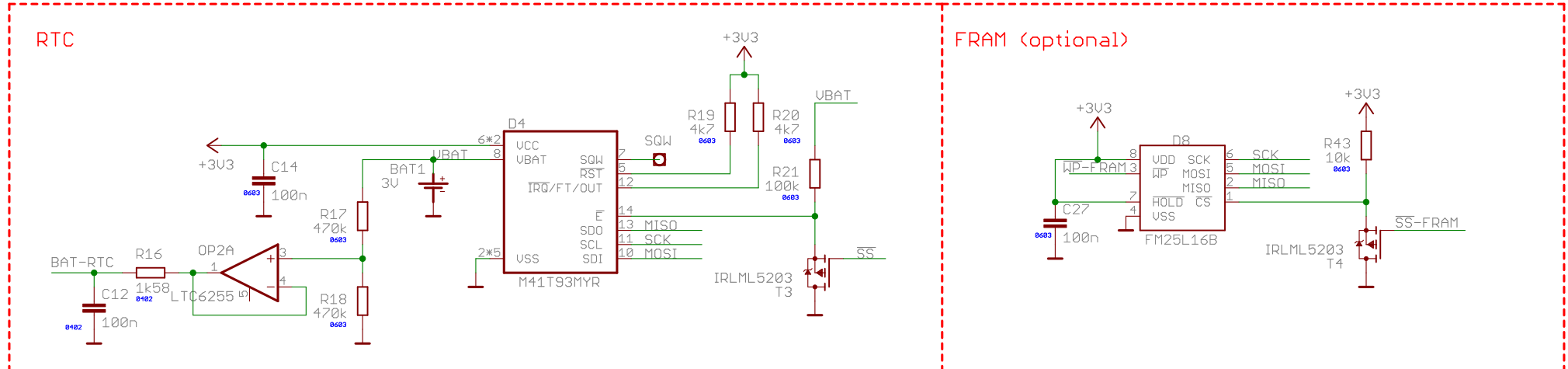
TITLE: ADB-3a

Document Number: 1.0

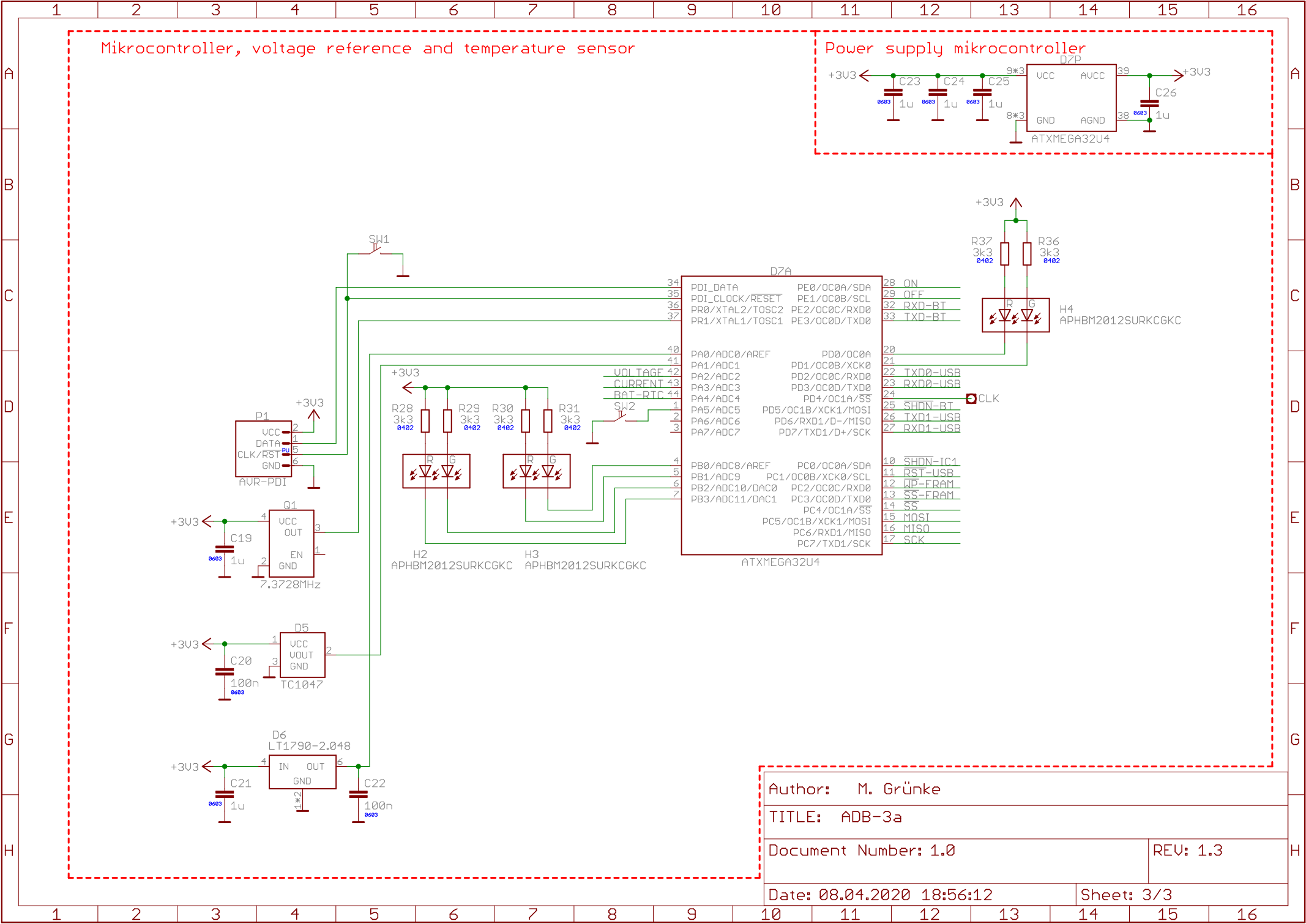
REV: 1.3

Date: 08.04.2020 18:56:12

Sheet: 1/3



Author: M. Grünke
 TITLE: ADB-3a
 Document Number: 1.0
 Date: 08.04.2020 18:56:12
 REV: 1.3
 Sheet: 2/3



Mikrocontroller, voltage reference and temperature sensor

Power supply mikrocontroller

Author: M. Grünke
 TITLE: ADB-3a
 Document Number: 1.0
 REV: 1.3
 Date: 08.04.2020 18:56:12
 Sheet: 3/3